

APC Technology

CT2250 Rugged Panel PC



FEATURES

- Front panel sealed to IP65
- Easily panel mounted with kit
- Touch screen allowing gloved operation

PRODUCT DESCRIPTION

The CT2250 Panel PC delivers touch flexibility, and when properly mounted meets IP65 sealing standard.

The touch screen can be operated with a bare finger or gloved hand and can withstand severe shock and vibration in a wide variety of temperature and humidity.

The perfect cost effective solution for your industrial computer needs.

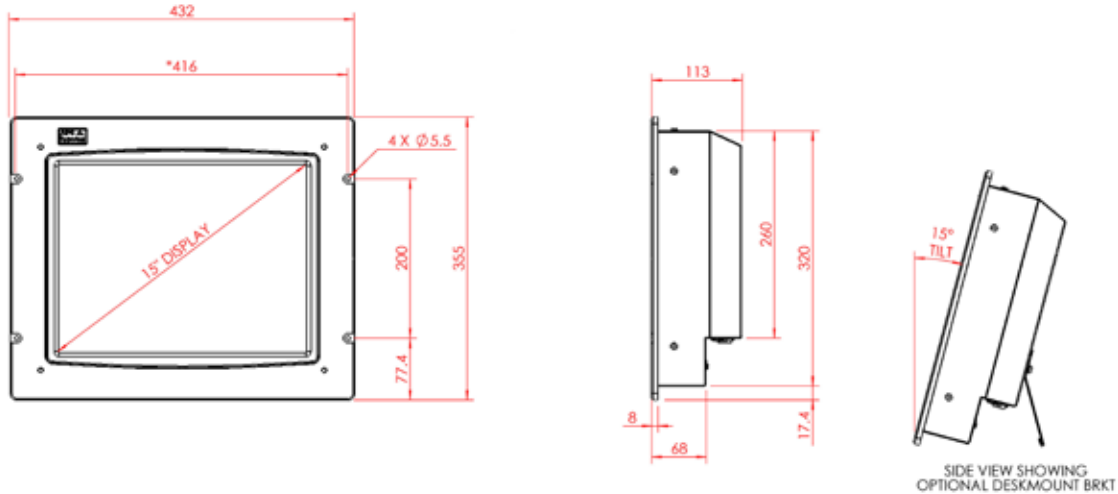


AUSTRALIAN MADE



APC Technology

CT2250 Rugged Panel PC



Technical Specifications

TFT Specifications

Display size:	15 inches
Maximum resolution:	1024 x 768
Type:	LCD TFT
Brightness (typical):	250 cd/m ²

Computer Specifications

CPU Support:	C3 Celeron processor on EBC572 motherboard
Memory:	512MB
Storage:	2.5" HDD
I/O:	3 x serial ports 2 x LAN ports 2 x USB ports
Mounting:	VESA Mounting
Power:	AC power supply, input range 110 to 240 VAC auto-ranging Frequency 47 to 63Hz

Technical Specifications

Environmental

Operating Temp:	0°C to +50°C
Storage Temp:	0°C to +60°C
Humidity:	5-95% non-condensing
Sealing:	Front face to IP 65
Vibration:	5-500Hz @ 0.1G accelerations
Shock:	20G @ 11mS pulse

Physical Dimensions

Gross weight:	approx 11kg
Unit dimensions:	432(W) x 113(D) x 355(H) mm

Construction

Sealing:	Sealed to IP65
Enclosure:	Steel

Options

- Stainless steel face plate
- Solid state drive
- Touch screen

Due to continuing developments, specifications are subject to change without notice. No liability is accepted for errors or omissions.



AUSTRALIAN MADE

