

APC Technology

ET40240 24" Tactical Display



FEATURES

Widescreen

Designed for harsh environments - suitable for use in land, sea and air applications

Wide viewing angle with advanced anti reflective technology

MIL-STD option

Lightweight (<17kg)

PRODUCT DESCRIPTION

The ET40240 24" Tactical display provides exceptional clarity, high resolution, fast response times, wider viewing angles and full graphics capabilities for the optimum viewing result in your application.

Designed specifically for application in aircraft environments, this product can be fully customised to suit the exact requirement of our clients.



AUSTRALIAN MADE

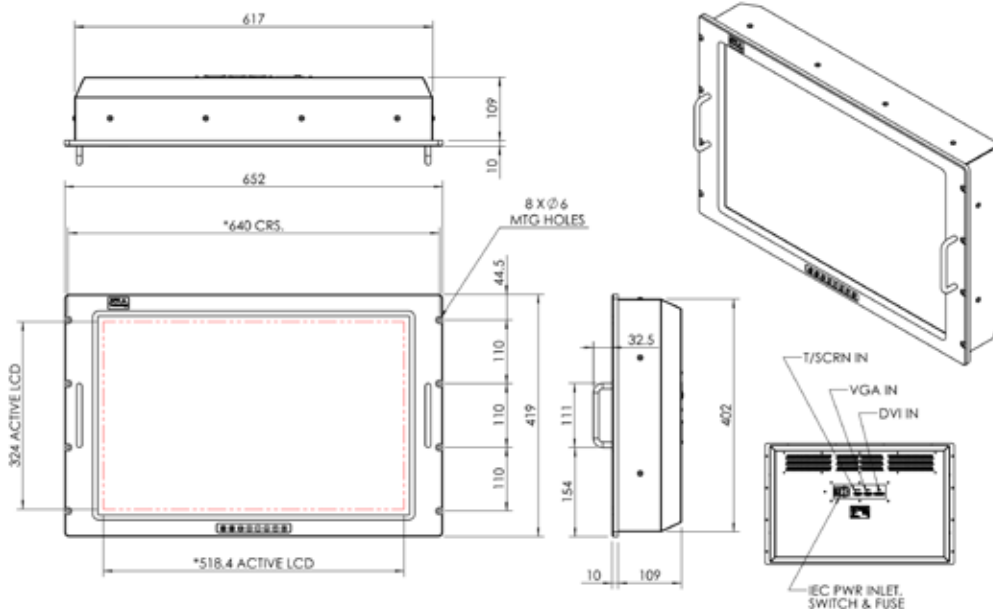


APC Technology

ET40240 24" Tactical Display



Quality
Endorsed
Company
ISO-9001 Lic: 5330
SAI Global



TFT Specifications

Display Size:	24" TFT LCD
Maximum resolution:	1920 x 1200
Luminance:	300CD
Interfaces:	DVI + Analogue RGB
Front controls:	Brightness + / - Menu On/off Power indicator

Environmental Specifications

Operating temperature:	0°C to +50°C
Storage temperature:	-20°C to +60°C
Vibration:	5 - 57Hz 0.15mm peak displacement 58 - 2000Hz @ 1.0G accelerations
Shock:	20G, 11ms pulse
Humidity:	85% non condensing

Physical Dimensions

Unit Dimensions:	518(W) x 100(D) x 324(H) mm
Gross weight:	<17kg

Construction

Sealing:	Sealed to IP65 at face plate
Enclosure:	Aluminium - zinc plated and powder coated

Power Supply

Power:	Standard Connector
Input range:	<75W 100 to 240 VAC, 47 - 400Hz 60W max

Options

Low temperature heaters
Extended temperature
MIL-STD available (ET40240-MIL)
Extended shock and vibration
DC power option

Due to continuing developments, specifications are subject to change without notice. No liability is accepted for errors or omissions.



AUSTRALIAN MADE

