

# APC Technology

## ET45195 19" Sealed Industrial PC



### FEATURES

- Sealed face plate
- Durable toughened glass
- Stylish and rugged for Industrial application
- Infra-T or Projected capacitive
- Large colour display
- Suitable for Industrial environments
- Available in Stainless Steel

### PRODUCT DESCRIPTION

The ET45195 is a 19" sealed stainless steel PC. It is designed for environments where plastic will not do the job. With a stylish machined aluminium face plate sealed to IP66, the ET45195 is available with an optional Infra-T touchscreen suited to gloved hand operation.

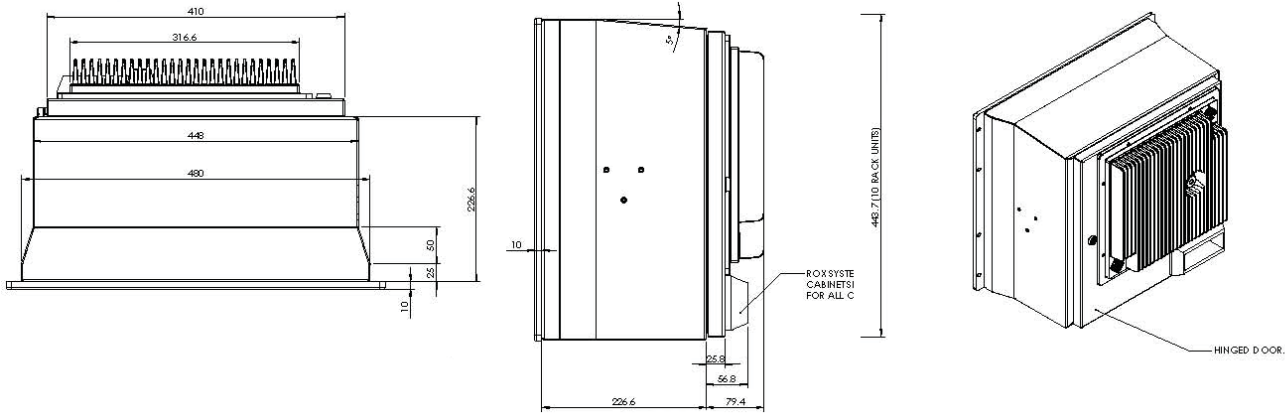
The ET45195 is designed for panel or rack mount to suit individual customer requirements.



AUSTRALIAN MADE



# APC Technology ET45195 19" Sealed Industrial PC



## SPECIFICATIONS

Construction:	Aluminium / Steel
CPU Support:	Pentium M / Celeron M
Memory:	512MB standard, Up to 2GB
Storage:	2.5" HDD
I/O:	Serial ports LAN port Parallel port USB ports
Power:	AC power supply Operating Power Consumption ~150W

## Display:

Size:	19"
Type:	LCD TFT
Resolution:	1280 x 1024
Luminance:	250 cd/m <sup>2</sup>

## SPECIFICATIONS

### Environmental Specifications:

Operating Temp:	0°C to +55°C
Storage Temp:	-20°C to +70°C
Humidity:	5-95% non-condensing
Sealing:	IP 66
Vibration:	5-500Hz @ 0.1G accelerations
Shock:	15G @ 11mS pulse

### Physical Dimensions:

Gross Weight:	~20kgs
Unit Dimensions:	482.6(W) x 306(D) x 443.7(H) mm

### Options:

- Mounting Brackets
- Touchscreen (Projected capacitive or resistive)
- 24 VDC power supply
- Internal slim CDROM/ CD-RW / DVD-ROM / DVD-RW
- Sunlight readable display
- Standard PC audio

Due to continuing developments, specifications are subject to change without notice. No liability is accepted for errors or omissions.



AUSTRALIAN MADE

